

COFFEE TABLE LIFT TOP

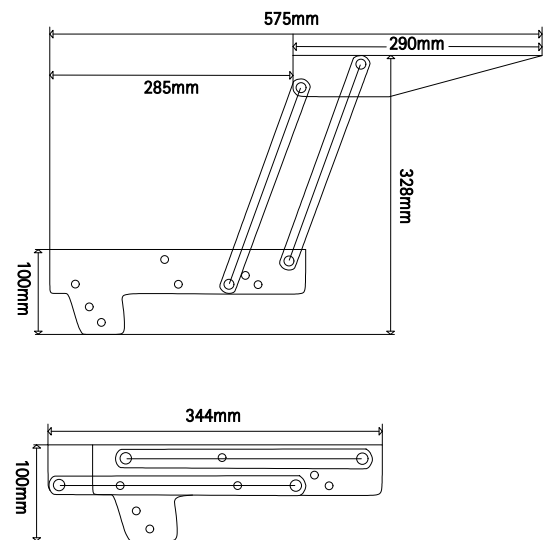
To serve as a desk or dining area



COFFEE TABLE LIFT TOP

TECHNICAL SPECIFICATIONS

- Lift up height : 228 mm
- Feature : comes with gas spring for soft closing
- Adjustable size : 530 – 850 mm
- Gas spring : 100 N
- Material : Iron



Item Code	Descriptions
11.TABLE.COFFEE-B045B	Coffee Table Lift-up Fitting with Gas Spring 600-900mm (Black)